

Six Person Desk

Assembly Guide

Branch

The new way of working you've been waiting for.

Scan here for a digital copy
of your assembly guide.

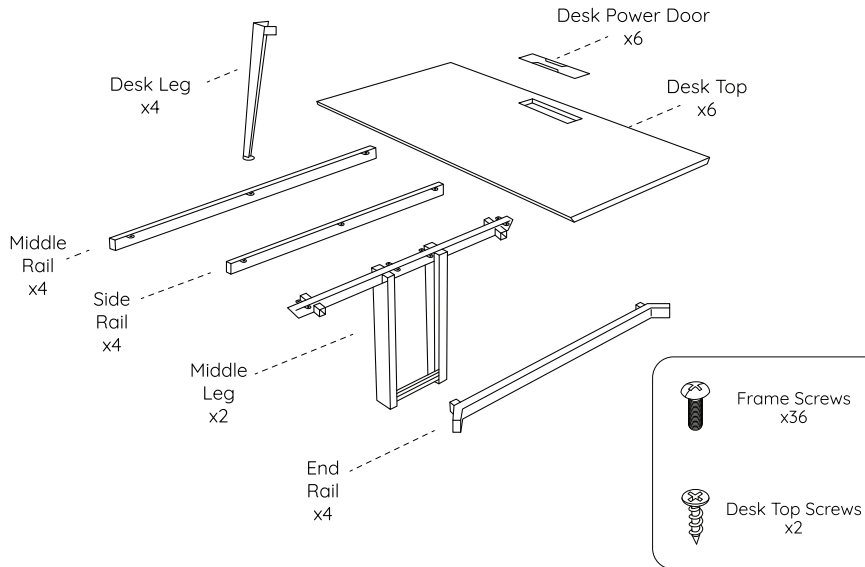




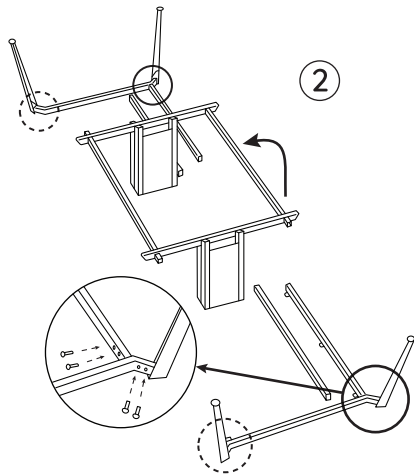
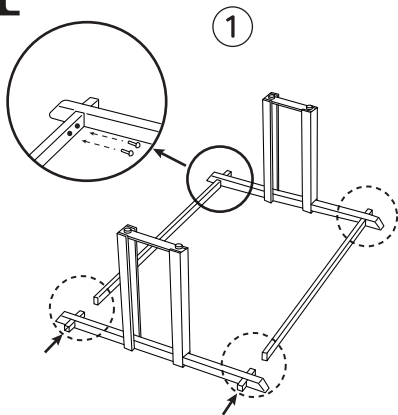
Caution

- Please read these instructions fully prior to assembly and verify that all components are present before you start the assembly process.
- Two-person assembly required.
- Do not change the specifications, modify this product, or use for any other purpose beyond its intended use as a desk.
- If any parts are missing, broken, damaged, or worn, stop use of the product until Branch authorized replacement parts are received.
- Do not sit or stand on the desk frame. Do not crawl or lie under the desk frame.
- This product contains optional electrical components and the risk of electric shock. Keep dry and away from moisture.
- Do not open or modify any of the power components. Doing so risks electric shock and voids any warranty claims.
- Failure to follow these warnings could result in serious injury or death and void any warranty.
- Keep this guide for future reference.

Components

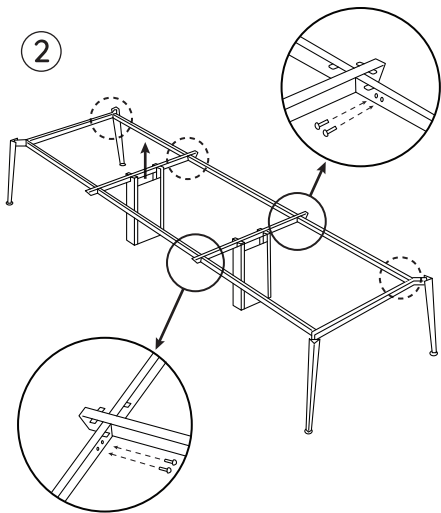
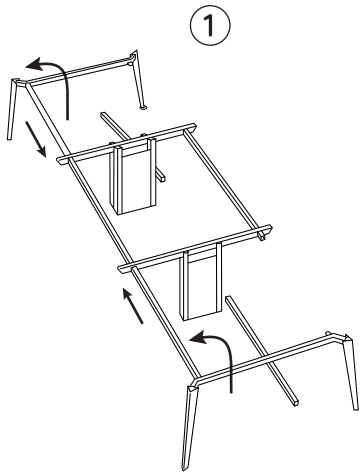


1



Lay the Middle Legs (x2) and Middle Rails (x2) upside down on a large clean surface. Note: the Middle Rails are longer than the Side Rails. Remove the doors from the Middle Legs to ease assembly. Join and screw together the Middle Rails (x2) to the Middle Legs (x2) using the Frame Screws (x8). Using two people, carefully flip the assembled frame right-side up. Lay the Side Rails (x4), End Rails (x2), and Legs (x4) in position. Starting at one side of the frame, insert the Legs (x2) and Side Rails into the End Rail (x1) and screw tight with the Frame Screws (x6). Repeat on the other side of the frame.

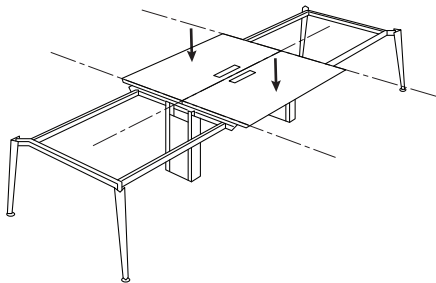
2



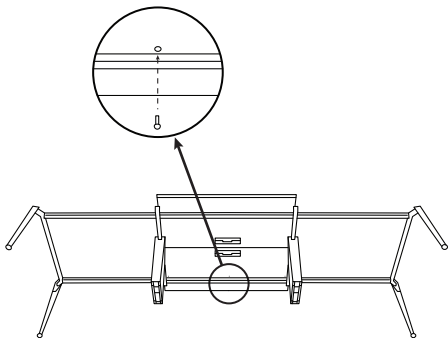
Starting at one side of the frame, carefully flip the first leg assembly right-side up and connect the frame. Repeat on the other side of the frame. Install the remaining Side Rails (x2) and screw all joints together with the Frame Screws (x2 per joint).

3

①



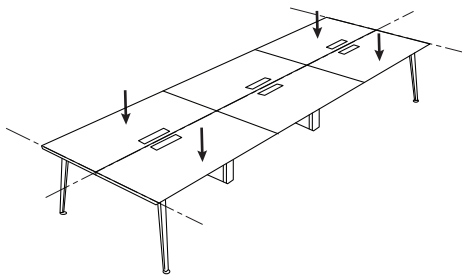
②



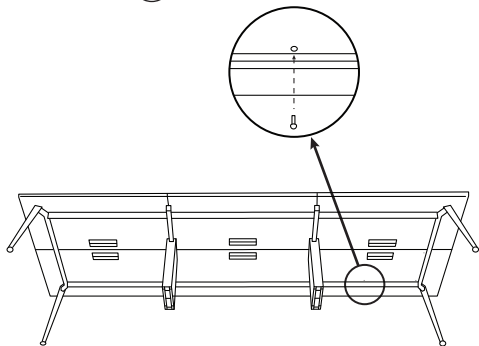
Align and center two Desk Tops (x2) in the middle of the assembled frame. From below, attach the desktops to the frame with the Desktop Screws (x12).

4

①



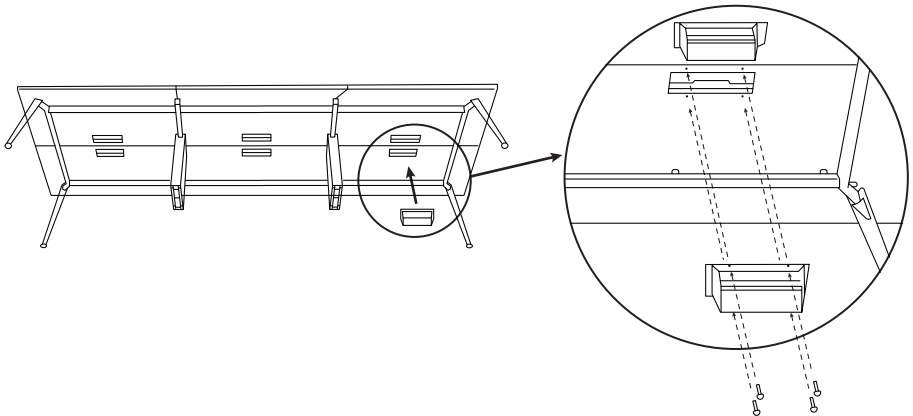
②



Align and place the remaining Desk Tops on both sides of the assembled frame.
From below, attach the desktops to the frame with the Desktop Screws (x24).

Optional Elements

In-Desk Power



Optional:

Attach the Power Boxes to the bottom of the Desktops using the included Screws (x16).
Connect the power cord to building power.

Contact

Have a question, comment, or suggestion?

hello@branchfurniture.com
branchfurniture.com

Branch