

# Quad Desk

Assembly Guide

**Branch**



# The new way of working you've been waiting for.

Scan here for a digital copy  
of your assembly guide.



# Caution

- Please read these instructions fully prior to assembly and verify that all components are present before you start the assembly process.
- Two-person assembly required.
- Do not change the specifications, modify this product, or use for any other purpose beyond its intended use as a desk.
- If any parts are missing, broken, damaged, or worn, stop use of the product until Branch authorized replacement parts are received.
- Do not sit or stand on the desk frame. Do not crawl or lie under the desk frame.
- This product contains optional electrical components and the risk of electric shock. Keep dry and away from moisture.
- Do not open or modify any of the power components. Doing so risks electric shock and voids any warranty claims.
- Failure to follow these warnings could result in serious injury or death and void any warranty.
- Keep this guide for future reference.

# Components

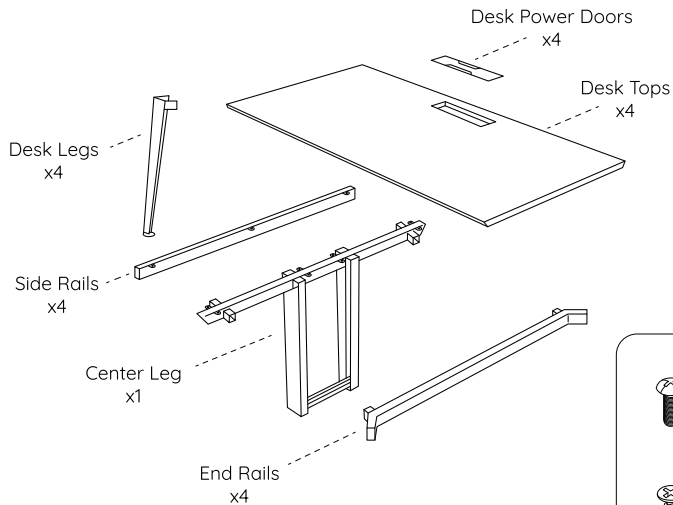
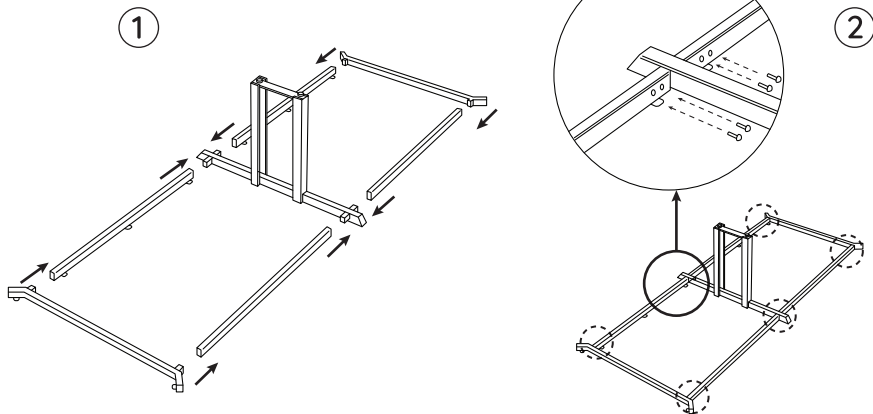


Table Frame Screws  
x20



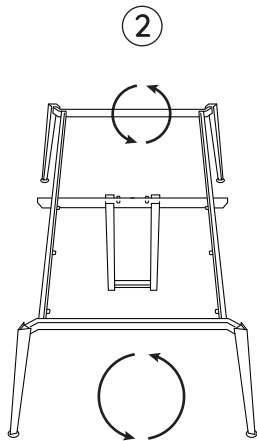
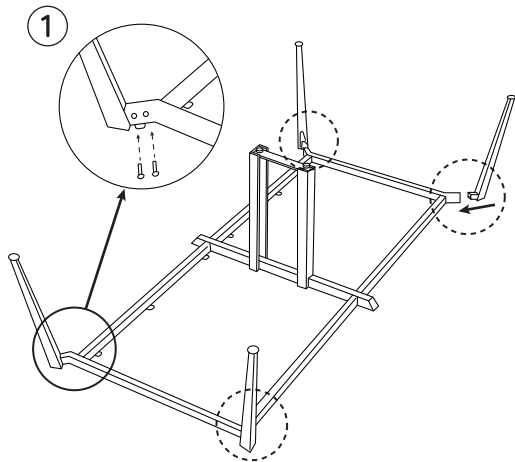
Table Top Screws  
x24

# 1



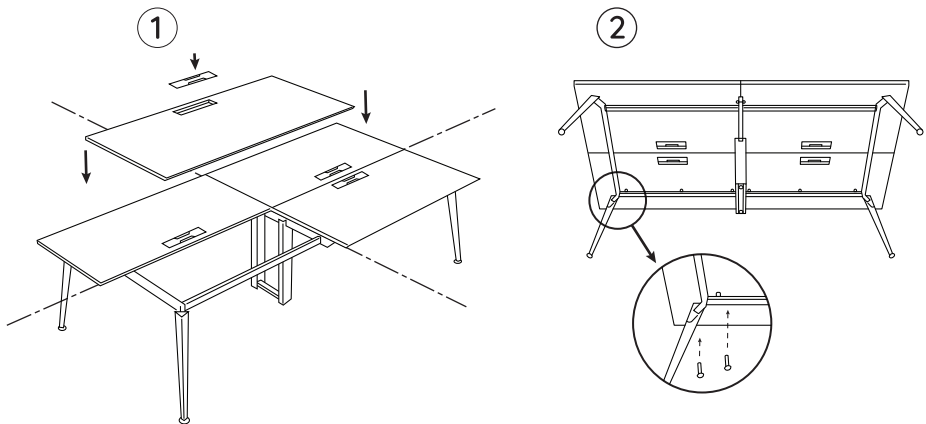
Carefully lay the frame members upside-down on a large flat surface. Remove the doors from the Center Leg to ease assembly. Connect and screw together the Side Rails (x4) to the Center Leg (x1) using 8 Frame Screws (x2 screws per joint). Next, connect and screw together the End Rails (x2) to the Side Rails using 8 Frame Screws (x2 screws per joint).

# 2



Attach the Legs (x4) to the End Rails (x2) using 8 Frame Screws (x2 screws per Leg).  
With a helper, carefully flip the frame right-side up.

# 3

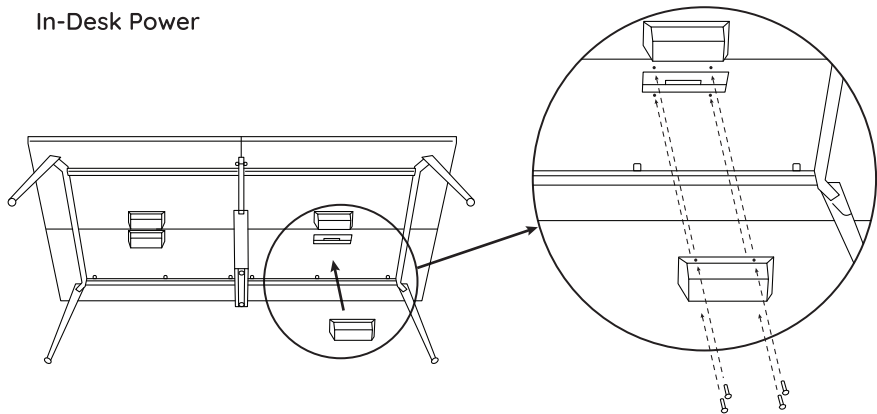


Install the Desk Power Doors (x4) into the Desktop Cutouts and then align the Desktops (x4) to the Desk Frame. From underneath the table, secure the Desktops to the Desk Frame using the Desktop Screws (x24). It helps to have a helper holding the desktops from above to prevent movement.



# Optional Elements

## In-Desk Power



Optional:

Attach the Power Boxes to the bottom of the Desktops using the included Screws (x16).  
Connect the power cord to building power.

# Contact

Have a question, comment, or suggestion?

[hello@branchfurniture.com](mailto:hello@branchfurniture.com)  
[branchfurniture.com](http://branchfurniture.com)

**Branch**