

Panel Sofa

Assembly Guide

Branch

The new way of working you've been waiting for.

Scan here for a digital copy
of your assembly guide.

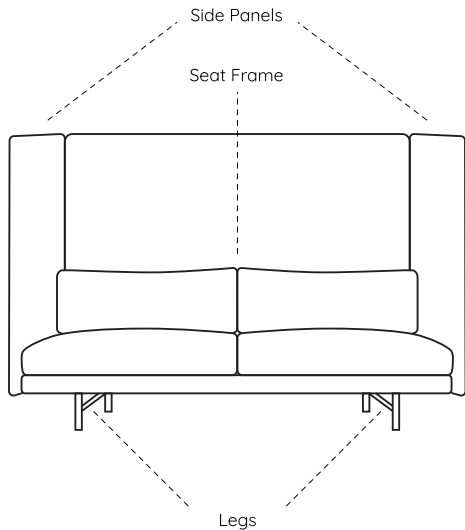




Caution

- Make sure to read the guide completely before assembling.
- Do not use this sofa as a step stool/ladder, or on uneven floor surfaces.
- Do not sit on any part of the sofa except the seat cushions.
- Do not use sofa unless all bolts, screws, and knobs are tightened.
- Every six months, please make sure all bolts, screws, and knobs are fully tightened to ensure stability.
- If any parts are missing, broken, damaged, or worn, stop use of the product until repairs are made using Branch authorized parts.
- Failure to follow these warnings could result in serious injury.

Components



Included Hardware



Panel Bolts
x4



Leg Bolts
x12

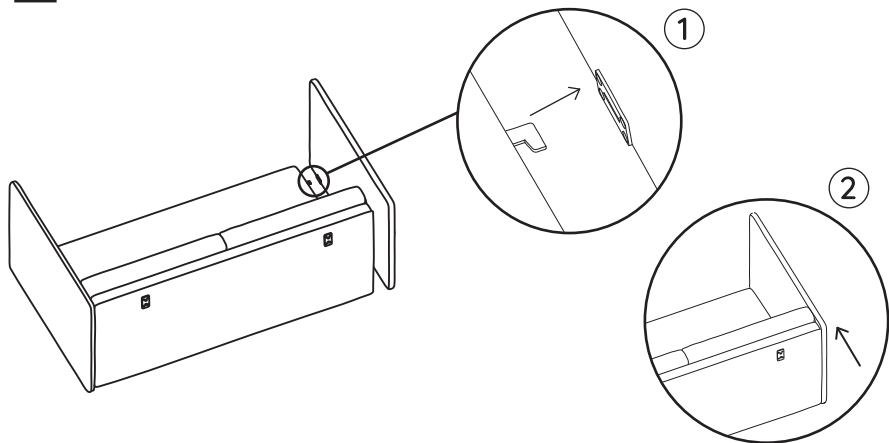


Allen Key
x1



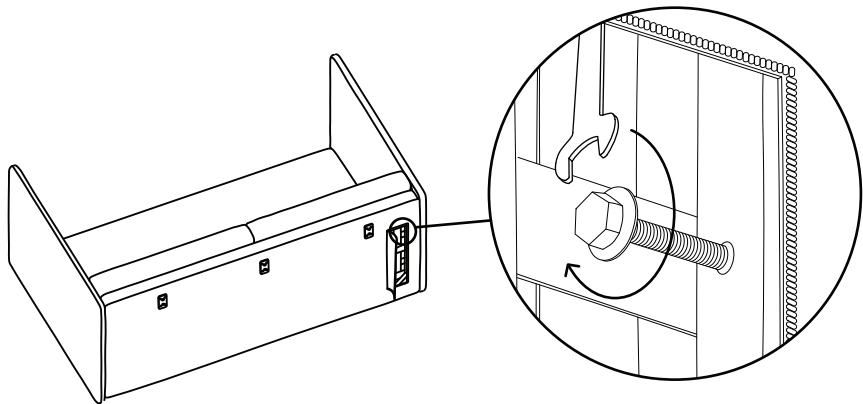
Mini Wrench
x1

1



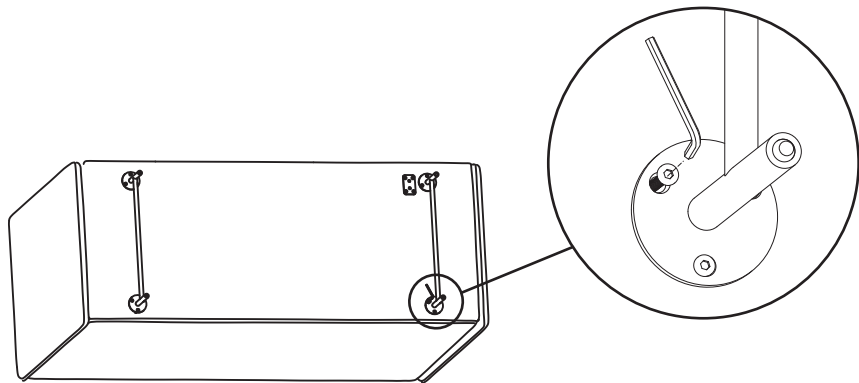
With a friend, place the **Seat Frame** (x1) on it's back on the floor. Next, align tab hooks on the **Seat Frame** (x1) to holes on the correct **Side Panels** (x2) and push them together. Finally, when the tab hooks have been inserted, push the bottom **Side Panel** towards the top of the **Seat Frame** to lock it in place. Follow the same steps with the alternate side.

2



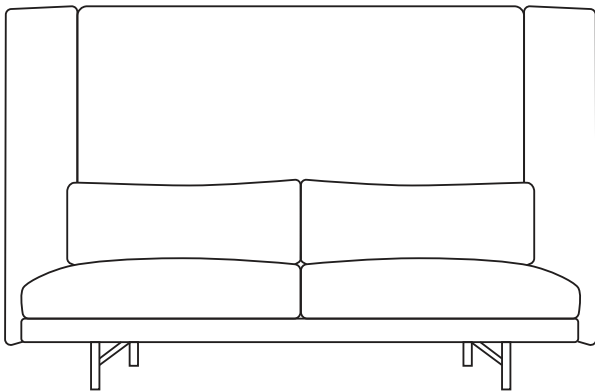
Unzip the pouch in the underside of the **Seat Frame** (x1) and in the corresponding insert holes securely tighten two **Panel Bolts** (x4) with the **Mini Wrench** (x1). Next, close the zipper. Repeat for the other side.

3



Align **Legs** (x2) with the corresponding holes on the underside of the **Seat Frame** (x1). Insert the **Leg Bolts** (x12) and securely tighten with the **Allen Key** (x1).

4



With a friend, carefully flip the sofa over.

Contact

Have a question, comment, or suggestion?

hello@branchfurniture.com
branchfurniture.com

Branch