

# Workstation Privacy Panels

## Assembly Guide

---

Works with the following:

- Duo Standing Desk
- Standing Desk
- Double Standing Desk
- Office Desk

# Branch

# The new way of working you've been waiting for.

Scan here for a digital copy  
of your assembly guide.

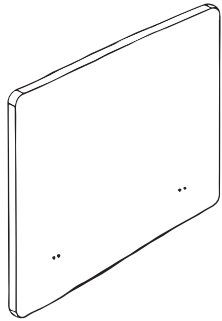




# Caution

- Make sure to read the guide completely before assembling.
- If any parts are missing, broken, damaged, or worn, stop use of the product until repairs are made using Branch authorized parts
- Do not change the specifications or modify this product for any other purpose beyond its intended use as a privacy panel.

# Components



Side Panel  
x1



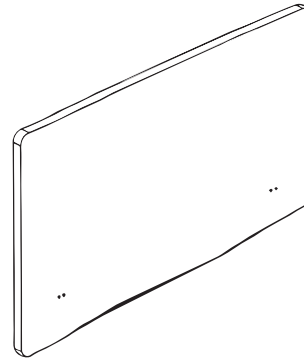
C-Clamp Brackets  
x2



Flat-Head Screws  
x4



Support Brackets  
x2



Front Panel  
x1



C-Clamp Brackets  
x2

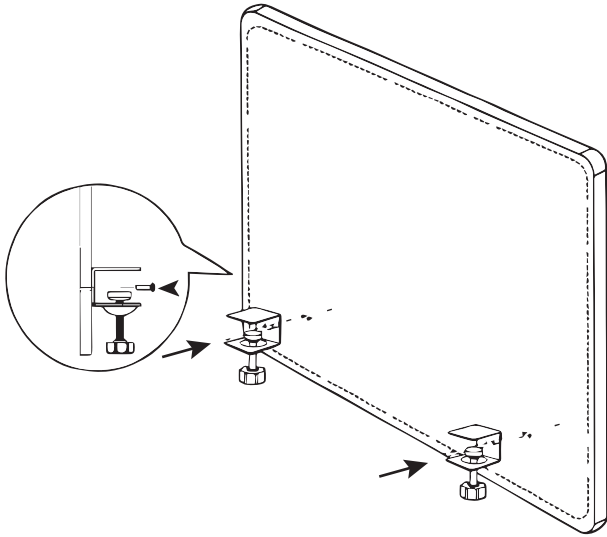


Flat-Head Screws  
x4



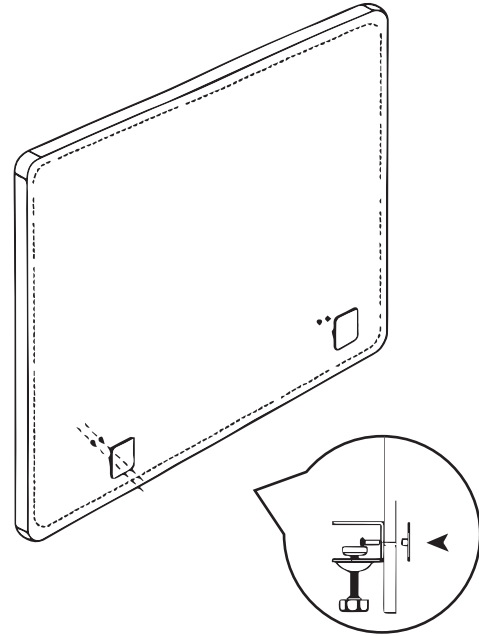
Support Brackets  
x2

# 1



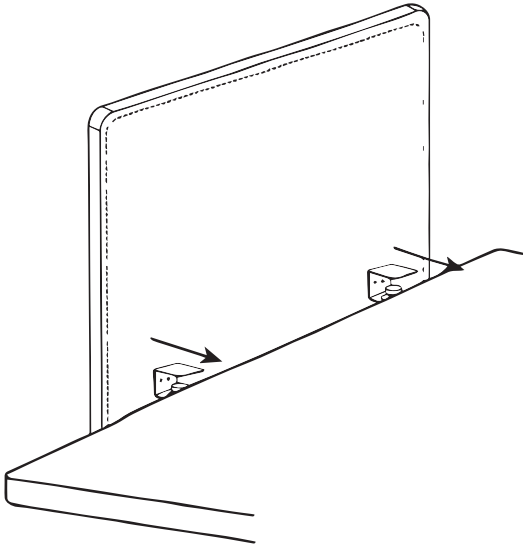
Before connecting the bracket attachments, remove any loose fiber material from the pre-cut holes. Install the C-Clamp brackets to the panels with the provided screws.

# 2



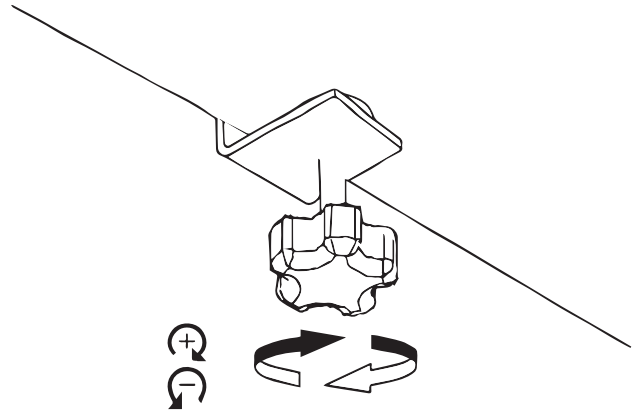
From the other side, align the holes of the Clamp Brackets with the C-Clamp and screw together tightly.

# 3



Loosen both C-Clamps until they can securely wrap around the edges of your desk.

# 4



Once in position against the desk, tighten clamps until the Panel is firmly attached.

When attached to a Branch Team Plus or Executive Standing Desk, the C-Clamps will contact the Desk Base supports before they are completely flush with the table's edge.

# All Done!

Go ahead, try it out. You may experience what we call an “ahhh” sensation. That’s completely normal. You’re now well equipped for whatever the workday throws at you.

Now, don’t be shy. Show us how it looks!

@branchfurniture  
#officebybranch

# Contact

Have a question, comment, or suggestion?

hello@branchfurniture.com  
branchfurniture.com

# Branch