

Team Desk Privacy Panels

Assembly Guide

Works with the following:

- Quad Desk
- Six Person Desk

Branch

The new way of working you've been waiting for.

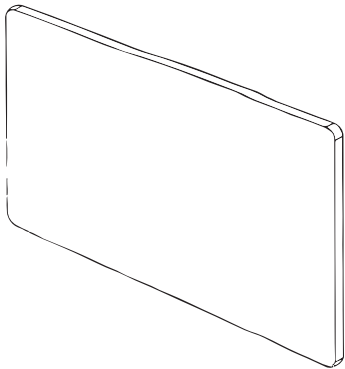
Scan here for a digital copy
of your assembly guide.



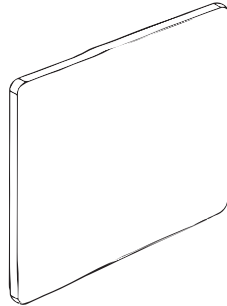
Caution

- Make sure to read the guide completely before assembling.
- If any parts are missing, broken, damaged, or worn, stop use of the product until repairs are made using Branch authorized parts
- Do not change the specifications or modify this product for any other purpose beyond its intended use as a privacy panel.

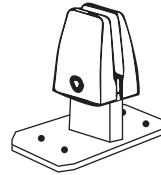
Components



Front Panel
x2



Side Panel
x2



Clamp Bracket
x8



Hex / Allen Key
x1

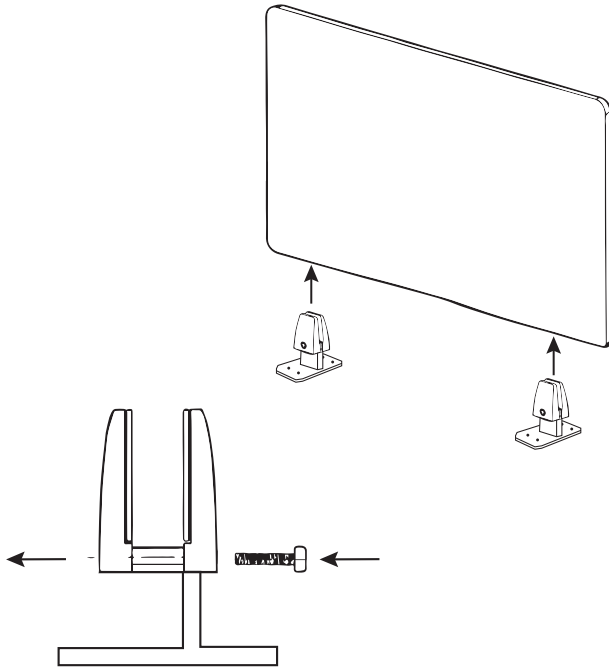


Flat-Head Screws
x8



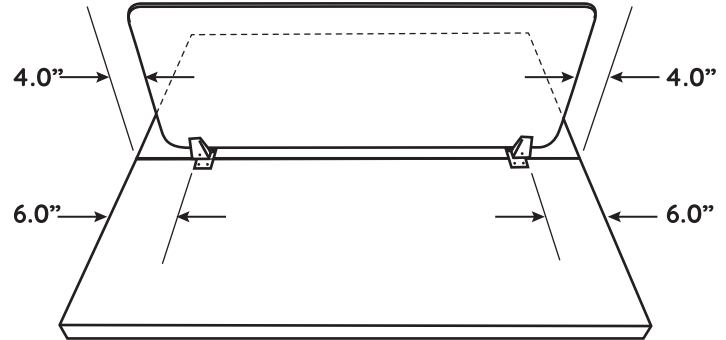
Self-Tapping Screws
x32

1



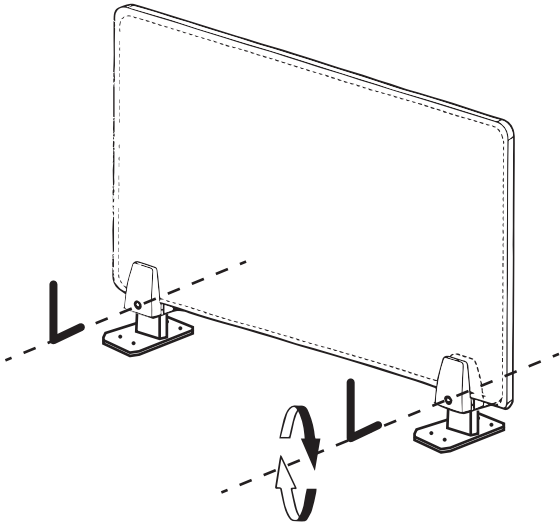
Carefully assemble the Clamp Brackets using the included Flat Head Screws. Loosely install the clamps onto the panel.

2



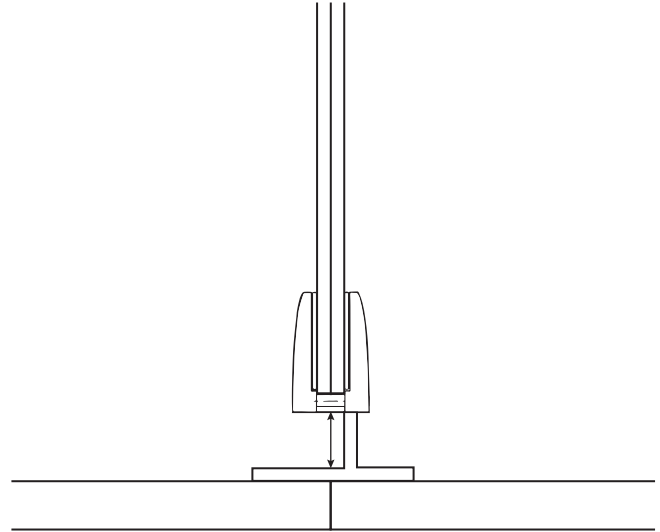
Using a tape measure, position the clamps at the noted dimensions to ensure balance and symmetry.

3



Use a hex/allen wrench to tighten the clamps firmly into position.

4



Carefully position the panels to your particular installation. Use the included Self-Tapping Screws if a permanent attachment is desired.

Branch assumes no liability for screw holes being made in error. Please install at your own risk!

All Done!

Go ahead, try it out. You may experience what we call an “ahhh” sensation. That’s completely normal. You’re now well equipped for whatever the workday throws at you.

Now, don’t be shy. Show us how it looks!

@branchfurniture
#officebybranch

Contact

Have a question, comment, or suggestion?

hello@branchfurniture.com
branchfurniture.com

Branch