

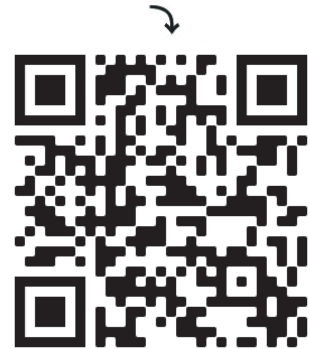
Ergonomic Chair Pro Headrest

Assembly Guide

Branch

The new way of working you've been waiting for.

Scan here for a digital copy
of your assembly guide.



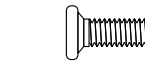
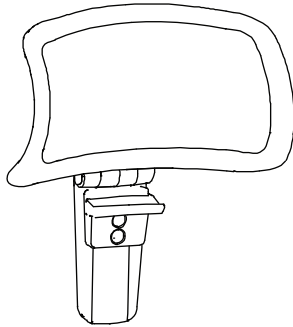


Caution

- Every six months, please make sure all bolts, screws, and knobs are fully tightened to ensure stability.
- If any parts are missing, broken, damaged, or worn, stop use of the product until repairs are made using factory-authorized parts.
- Failure to follow these warnings could result in serious injury.

Components

Headrest
(x1)

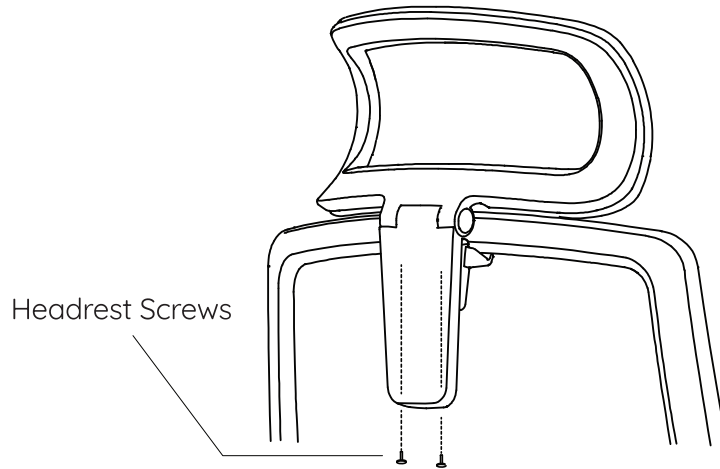


Headrest Screws
(x2)



Allen Key
(x1)

1



Attach the **Headrest** (x1) to the top rear of the chair **Backrest**. Align the holes on the **Headrest** base to the chair frame, insert the **Headrest Screws** (x2), and tighten with the **Allen Key**.

All Done!

Go ahead, try it out. You may experience what we call an “ahhh” sensation. That’s completely normal. You’re now well equipped for whatever the workday throws at you.

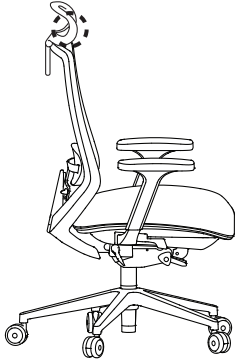
Now, don’t be shy. Show us how it looks!

@branchfurniture
#officebybranch

User Guide

Headrest Height and Tilt:

Sides of the Headrest



To adjust Height:

Grasp the sides of the headrest with both hands and lift up or down at the same time to your desired position.

To adjust Tilt:

Grasp the sides of the headrest with both hands and tilt forwards or backwards to your desired position.

Contact

Have a question, comment, or suggestion?

hello@branchfurniture.com
branchfurniture.com

Branch