

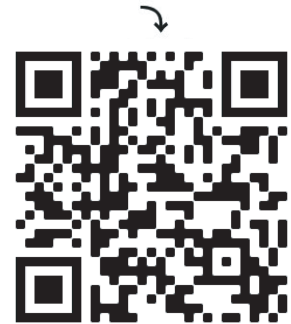
Desk Drawer

Assembly Guide

Branch

The new way of working you've been waiting for.

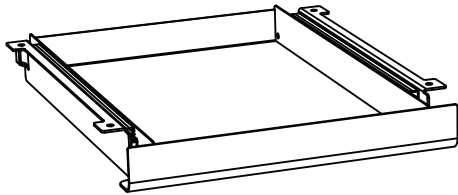
Scan here for a digital copy
of your assembly guide.



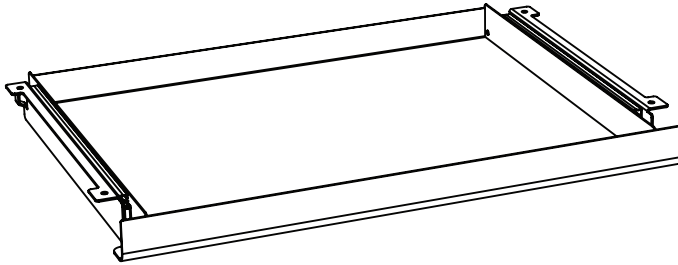
Caution

- Please read these instructions fully prior to assembly and verify that all components are present before you start the assembly process.
- If any parts are missing, broken, damaged, or worn, stop use of the product until factory authorized replacement parts are received.
- Pay attention to sharp corners and gently open and close the drawers to avoid personal injury.
- Do not use this product other than for its intended purpose.
- Every six months, please make sure all bolts, screws, and knobs are securely tightened to ensure stability.
- Failure to follow these warnings could result in serious injury or death and void any warranty.
- Keep this manual for future reference.

Components



Small Desk Drawer
for 36" Duo Standing Desk



Large Desk Drawer
for the 48" and 58" Duo Standing Desk
for all sizes of the Daily Desk

Included Hardware

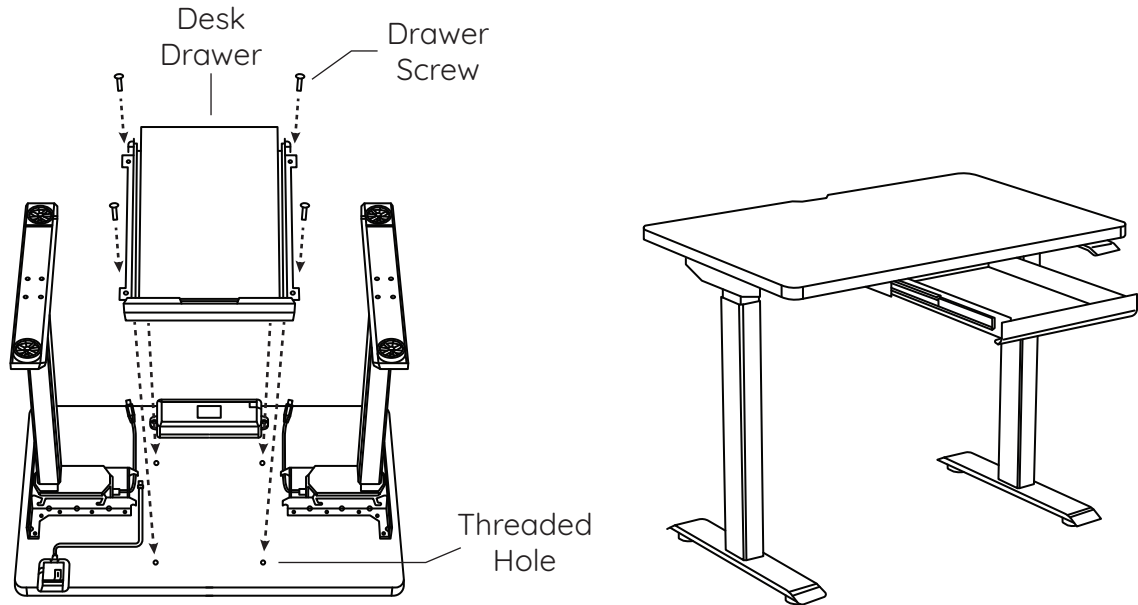


Drawer Screws
x4



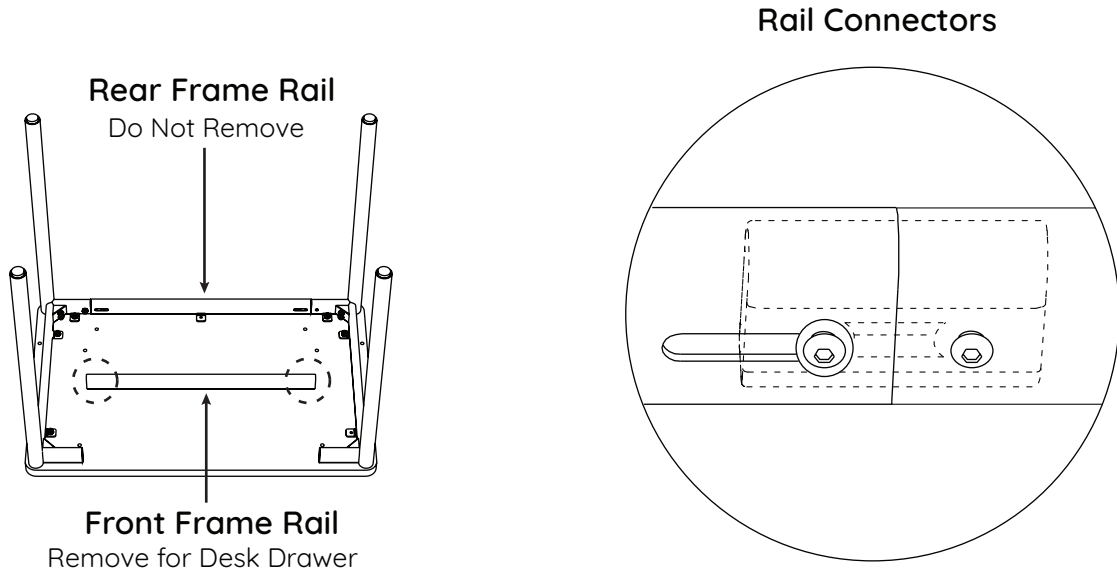
Allen Wrench
4mm
x1

1 Duo Desk



Place your **Duo Desk** upside-down on a clean flat surface. Position the **Desk Drawer** on the desktop so that the drawer opens towards the front of the desk. Align the mounting holes on the Drawer to the **Threaded Holes** in the Desktop. Tightly secure the **Drawer** with the **Drawer Screws** (x4) using the **4mm Allen Wrench**. With a friend, carefully flip your desk right-side up.

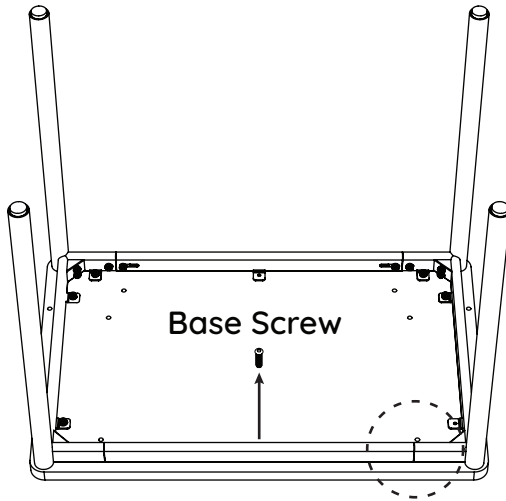
1 Daily Desk



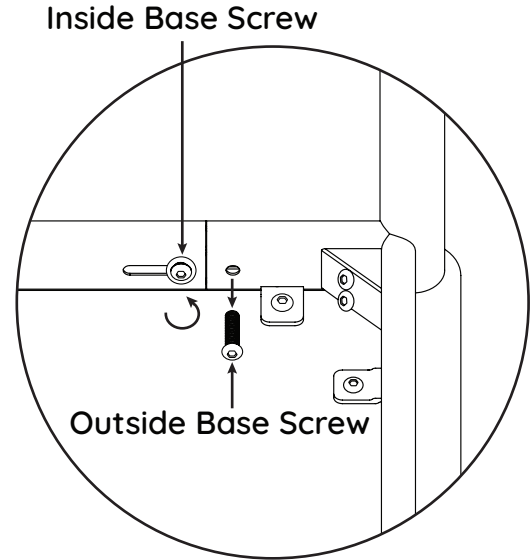
The Daily Desk uses modular **Frame Rails** with hidden **Rail Connectors**, one of which needs to be removed to install the **Desk Drawer**. Remove the **Front Frame Rail** to install the Desk Drawer using the steps on the following pages.

2 Daily Desk

1

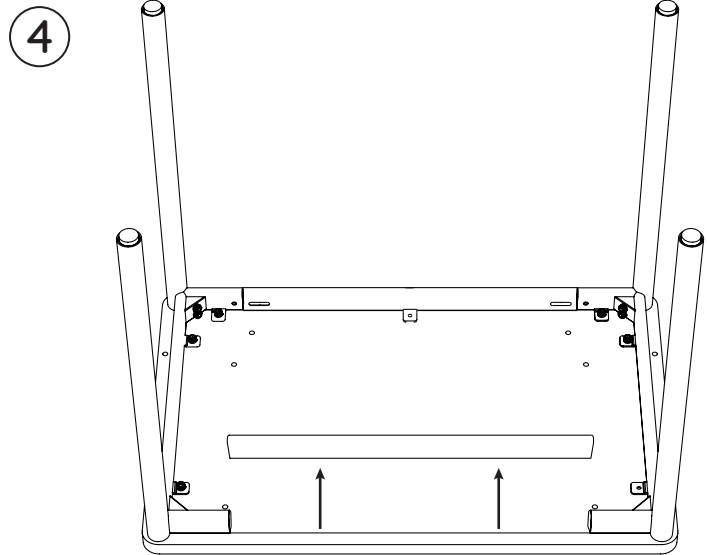
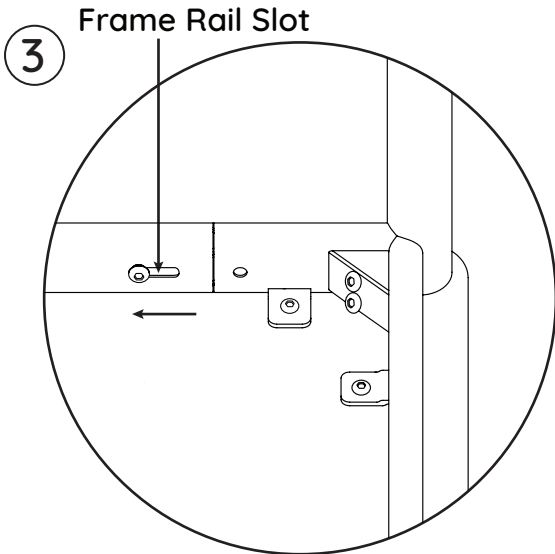


2



Using the **4mm Allen Key**, unscrew the **Base Screw** (x1) from the center of the front facing **Frame Rail**. Next, unscrew and remove the outside **Base Screw** (x2) from the **Rail Connector**. Then loosen, but do not fully remove, the Inside **Base Screw** (x2) from the **Rail Connector**.

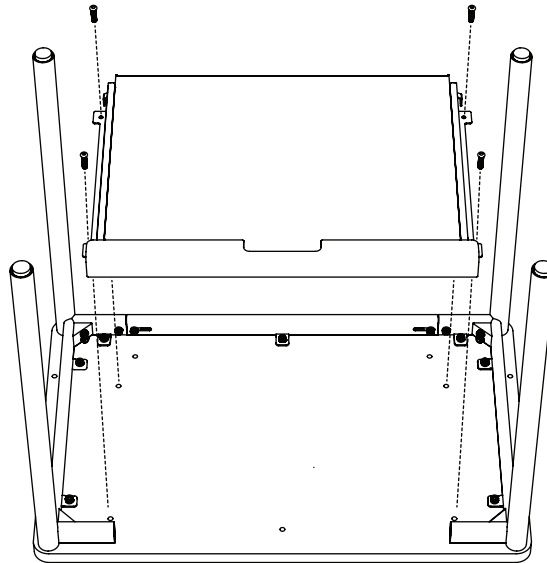
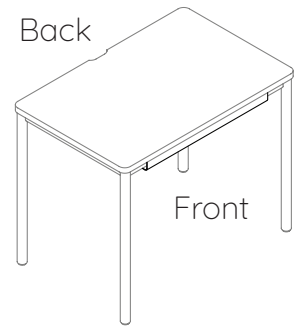
3 Daily Desk



Grab the Inside **Base Screw** and slide the **Rail Connector** completely to the other side of the **Frame Rail Slot**. Repeat on the other side of the **Frame Rail**. Next, remove the **Frame Rail** from the **Desktop**. Keep the rails stored after removal as to not lose any components.

Branch Tip: If needed, apply light downward pressure on the end of the **Frame Rail**, directly above the **Frame Rail Slot** when sliding the **Rail Connector**.

4 Daily Desk



Position the **Desk Drawer** to the **Desktop** so that the drawer opens towards the front of the desk. Align the mounting holes on the drawer onto the threaded holes in the **Desktop**. Tightly secure the **Desk Drawer** to the **Desktop** with the included **Drawer Screws** (x4) and **4mm Allen Key**.

Contact

Have a question, comment, or suggestion?

hello@branchfurniture.com
branchfurniture.com

V1.0-2025-02-24

Branch