

Conference Table (8-10, 10-12)

Assembly Guide

Branch

The new way of working you've been waiting for.

Scan here for a digital copy
of your assembly guide.

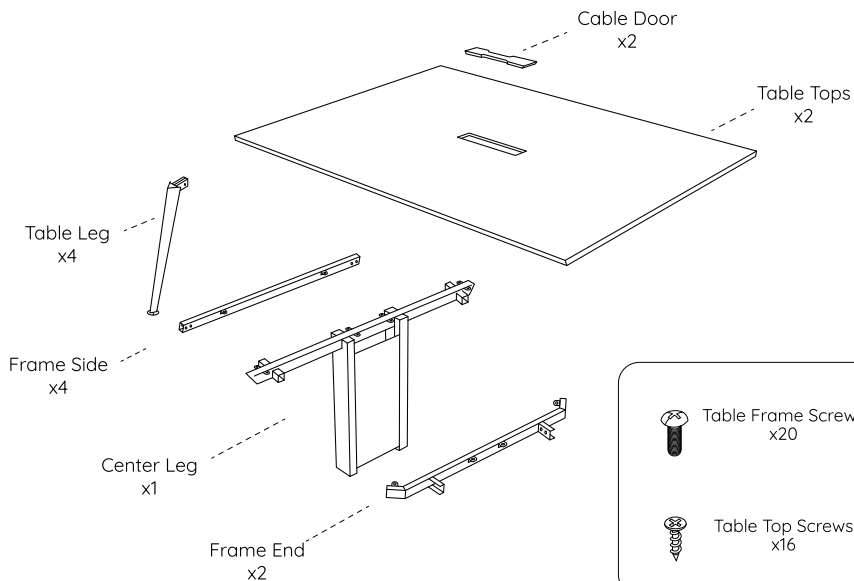




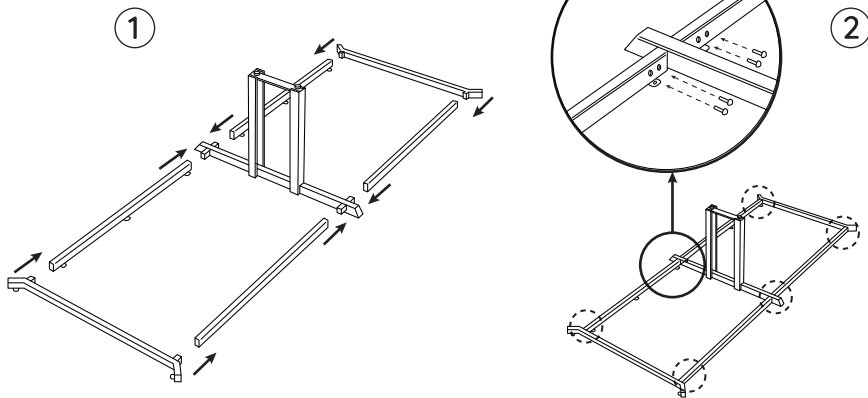
Caution

- Please read these instructions fully prior to assembly and verify that all components are present before you start the assembly process.
- Two-person assembly required.
- Do not change the specifications, modify this product, or use for any other purpose beyond its intended use as a table.
- If any parts are missing, broken, damaged, or worn, stop use of the product until Branch authorized replacement parts are received.
- Do not sit or stand on the table frame. Do not crawl or lie under the table frame.
- This product contains optional electrical components and the risk of electric shock. Keep dry and away from moisture.
- Do not open or modify any of the power components. Doing so risks electric shock and voids any warranty claims.
- Failure to follow these warnings could result in serious injury or death and void any warranty.
- Keep this guide for future reference.

Components

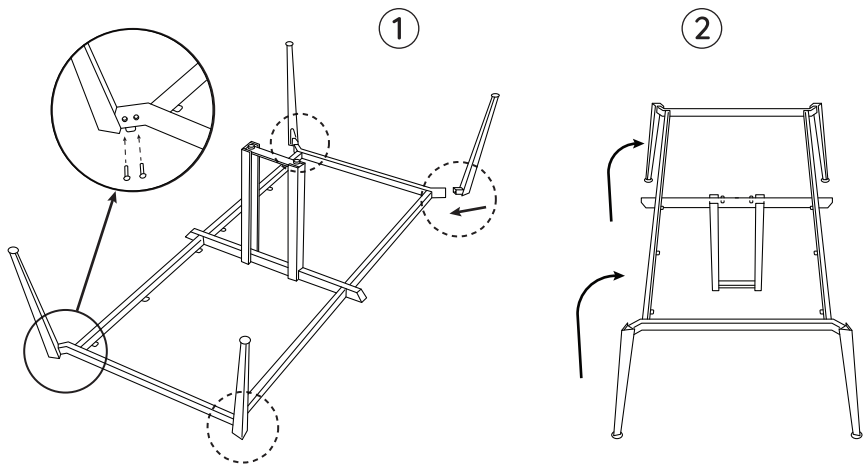


1



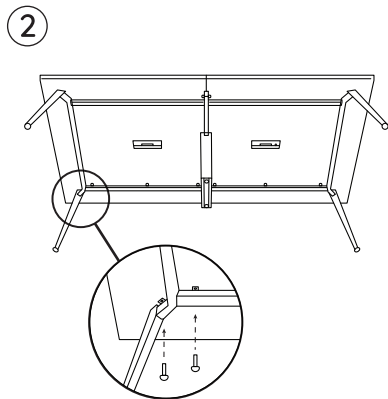
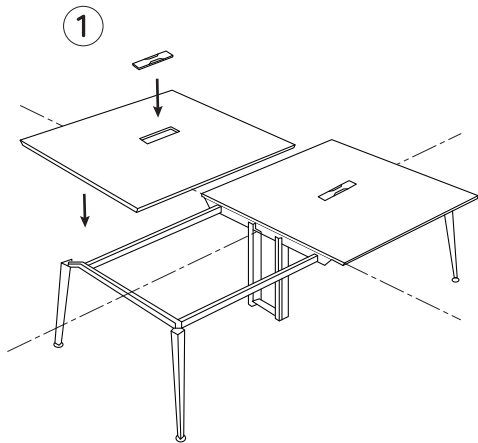
Carefully lay the Center Leg, Frame Side, and Frame End components upside-down on a large flat surface, making sure the attachment eyelets are facing down as shown. Remove the panels from the Center Leg to ease assembly. Connect the Frame Sides (x4) to the Center Leg (x1) and tightly secure with 8 Frame Screws (x2 screws per joint). Next, connect the Frame Ends (x2) to the Frame Sides and tightly secure with 8 Frame Screws (x2 screws per joint).

2



Insert the Legs (x4) into the Frame Ends (x2) and secure tightly with the Frame Screws (x8).
Using two friends, carefully flip the frame right-side up.

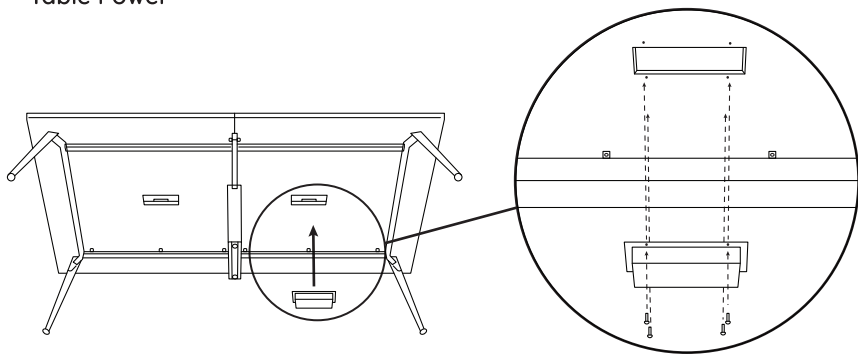
3



Install the Cable Doors (x2) into the Table Top cutouts. Position the Table Tops (x2) on the Frame, aligning the Frame eyelets with the Table Top pilot holes. From underneath the table, tightly secure the Table Tops to the Frame with the Table Top Screws (x16). With the help from a friend, hold the Table Tops from above to prevent movement and maintain alignment.

Optional Elements

Table Power



Optional:

Tightly secure the Power Boxes to the bottom of the table tops using the included Screws (x16). Connect the power cord to the nearest outlet.

Contact

Have a question, comment, or suggestion?

hello@branchfurniture.com
branchfurniture.com

Branch