



MATERIALS

3D knit fabric: polyester-knitted weave made of threads of varying strength for optimal support.

High density foam cushion: contoured cushion evenly distributes weight for a comfortable sit.

Polymer frame: built from glass-reinforced polyamide to last countless 9-to-5's.

Aluminum base: made of powder coated aluminum for a lasting foundation of work.

Scratch-proof casters: durable nylon ideal for multiple floor types.

RETURN POLICY

Open Box products are final sale, and not eligible for return.

WARRANTY

3-year warranty. View our full policy at <https://www.branchfurniture.com/pages/warranty>.

CLEANING AND CARE

Base and frame: use a gentle, non-ammonia cleaning product to shine and remove scuffs.

Seat: use a furniture spot-cleaner to remove any stains from your chair. Avoid bleach and water-based cleaning products to prevent discoloration.

Verve Chair (Open Box)

OVERVIEW

Verve is a high-performance work chair that's been obsessively engineered to create a striking silhouette, playful palette, and approachable ergonomics with six points of easy-to-use adjustments. Wrapped in a unique 3D knit, its V-shaped suspended back offers integrated and adjustable spine support for continuous comfort. Precise color matching across materials produces a truly unified palette that enables anyone to create eye-catching sightlines in the home or workplace. Certified Greenguard Gold for low VOC emissions.

COLORS

Classic

Mist



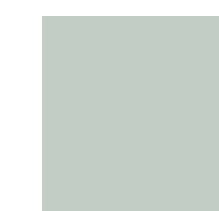
#DCE0DC

Coral



#F08080

Mint



#C2CDC5

Cobalt



#576373

Lunar



#959A9C

Monochrome

Galaxy

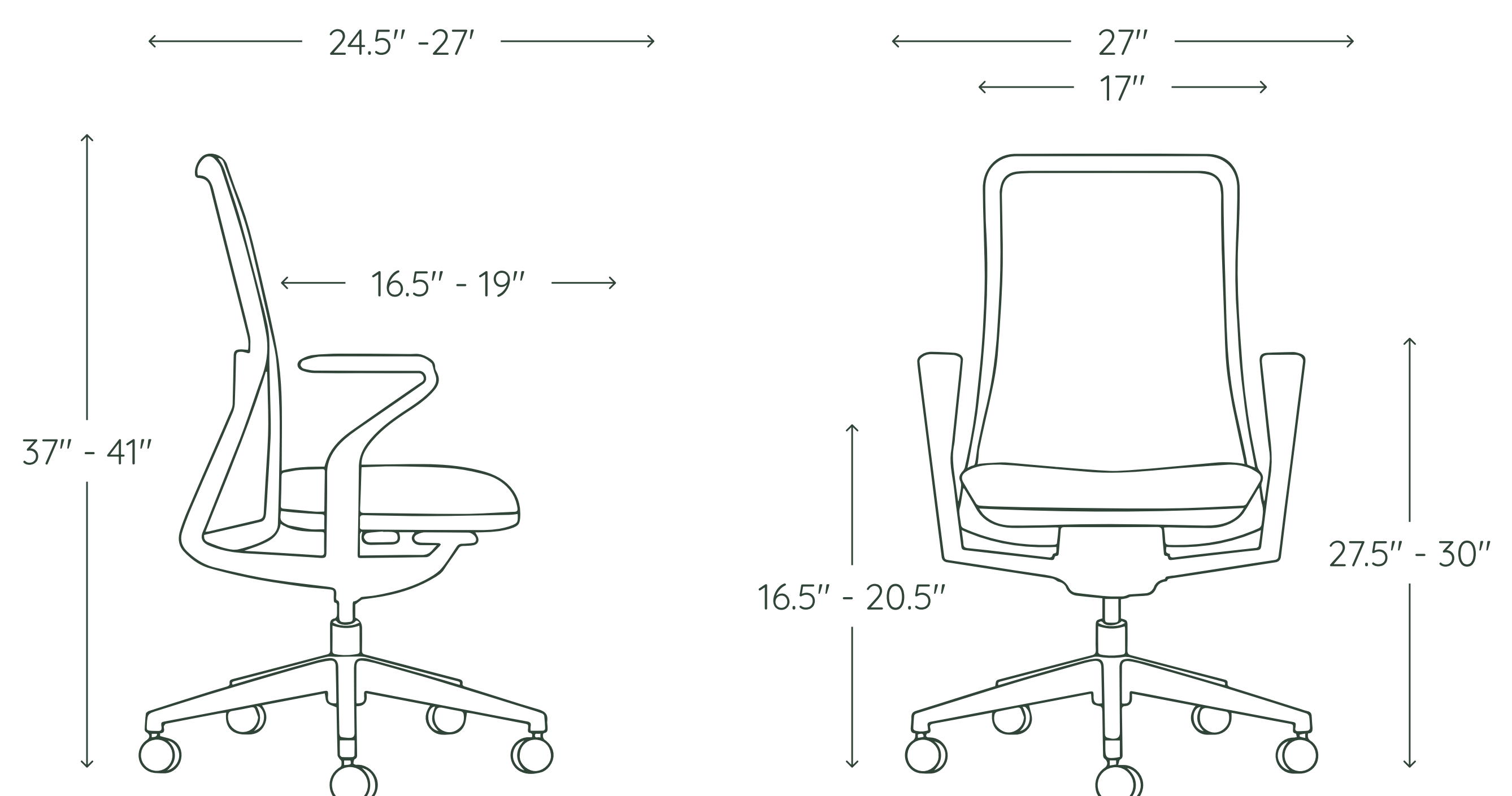


#33383B

Wheat



#D3C7B5



SPECIFICATIONS

Overall: 27"W x 27"D x 37"-41"H

Armrest height: 27.5"-30"

Chair height: 37"-41"

Tilt range: 20°

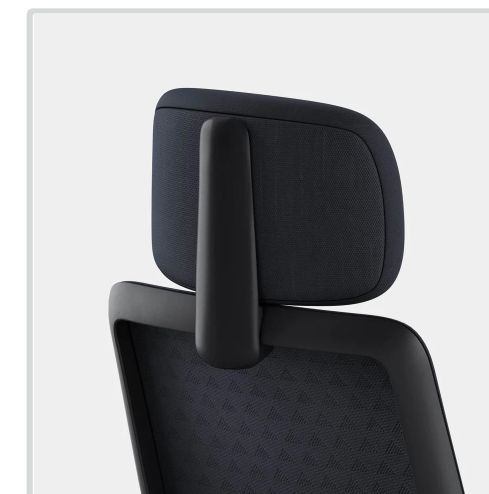
Seat height: 16.5"-20.5"

Max capacity: 275 lbs

Seat depth: 16.5"-19"

Assembled weight: 40 lbs

OPTIONAL ADD ONS



Verve Headrest

Contoured foam and our signature 3D knit bring even greater neck and shoulder support to the Verve Chair.

Branch