



# Ergonomic Chair (Open Box)

## OVERVIEW

Designed for support and adaptability, the Ergonomic Chair puts you at the center of work. Its lumbar support encourages a healthy posture while its industry-leading eight points of adjustment allow for anyone to find their fit. Wrapped in a breathable backrest that keeps you cool throughout the day, the Ergonomic Chair adds a minimalist, modern touch whether you're in the home or open office. Certified Greenguard Gold for low VOC emissions.

## MATERIALS

**Double-woven mesh:** nylon weave eases pressure points with breathable support.

**High density foam cushion:** contoured cushion evenly distributes weight for a comfortable sit.

**Polymer frame:** built from impact-resistant polymer and nylon fill.

**Aluminum base:** anodized aluminum for a lasting foundation of work.

**Scratch-proof casters:** durable nylon ideal for multiple floor types.

## RETURN POLICY

Like-new Branch products in their original packaging can be returned for a refund within 30 days of purchase.

## WARRANTY

3-year warranty. View our full policy at [branchfurniture.com/pages/returns-and-warranty](https://branchfurniture.com/pages/returns-and-warranty).

## CLEANING AND CARE

**Base and frame:** use a gentle, non-ammonia cleaning product to shine and remove scuffs.

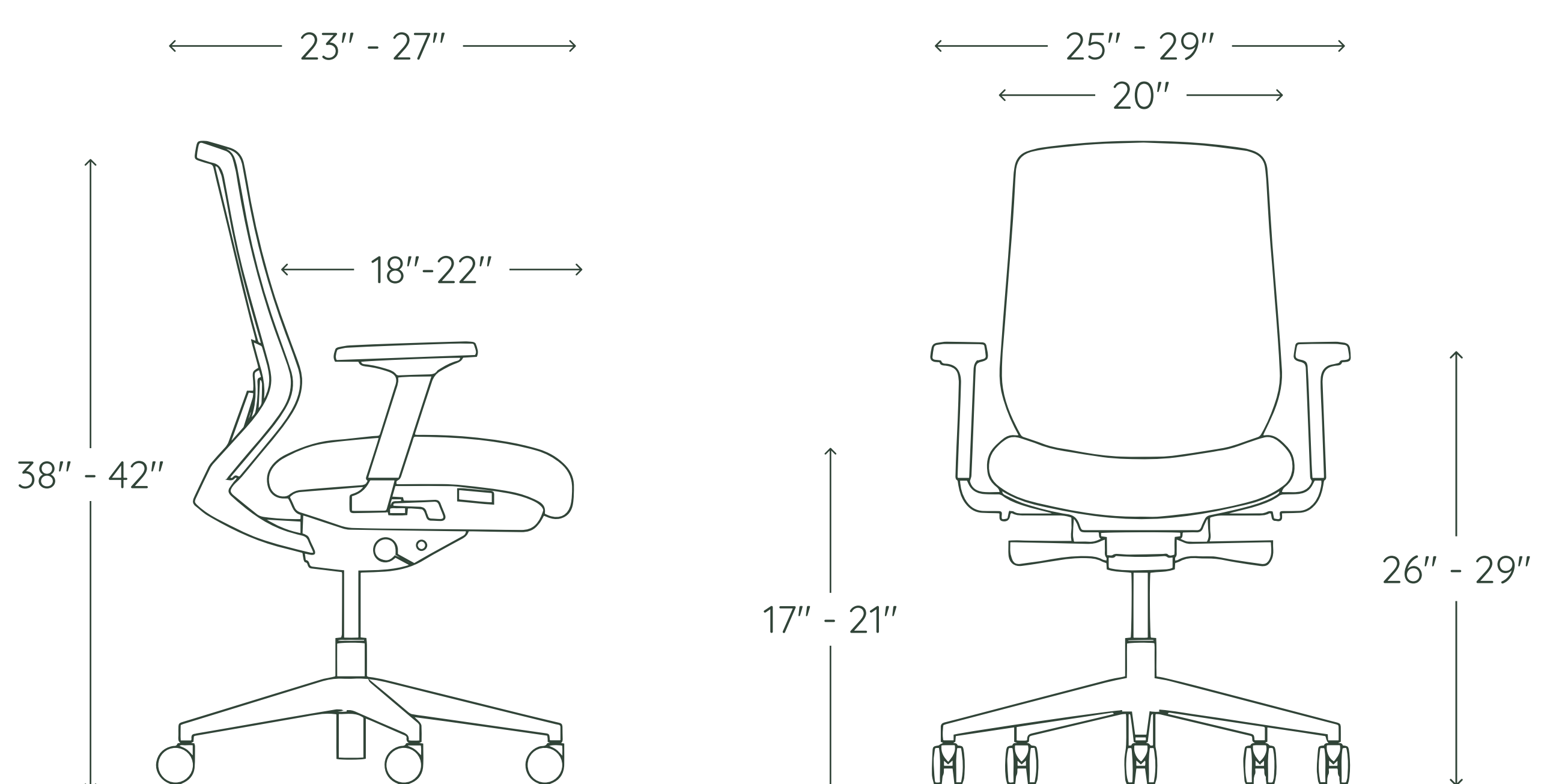
**Seat:** use a furniture spot-cleaner to remove any stains from your chair. Avoid bleach and water-based cleaning products to prevent discoloration.

## FABRIC COLORS

Black #111111	Sand #D2C4AF	Pebble #D3D2D0	Graphite #646566
Light Blue #BEDBEC	Poppy #DA5F4D	Baltic #354E93	

## FRAME COLORS

Black #111111	White #FFFFFF
------------------	------------------



## SPECIFICATIONS

Overall: 25"W x 24"D x 38"-42"H	Armrest height: 26"-29"
Chair height: 38"-42"	Tilt range: 20°
Seat height: 17"-21"	Max capacity: 275 lbs
Seat depth: 18"-22"	Assembled weight: 35 lbs

## OPTIONAL ADD ONS



### Ergonomic Headrest (Open Box)

Adjustable mesh headrest, ideal for sitters who alternate between reclining and upright posture.

# Branch