



Duo Standing Desk (Open Box)

OVERVIEW

Meet Duo, a standing desk designed for a new world of work in both size and function. Its dual motors make the transition between sitting and standing so seamless you'll be hard-pressed to find a reason not to move.

With its unique frameless design and compact size, Duo punches above its weight to offer proven ergonomics, advanced sit-stand features, and a suite of optional add-ons that allow you to do your best work with minimal effort.

MATERIALS

Laminated MDF top: repels dings and spills in style, with rounded corners and a built-in cable notch.

Articulated steel legs: coated 3mm steel with 2-column lift for adjustment at any height.

Tapered feet: tapered and adjustable, our steel desk feet ensure stability on any surface.

RETURN POLICY

Open Box products are final sale, and not eligible for return.

WARRANTY

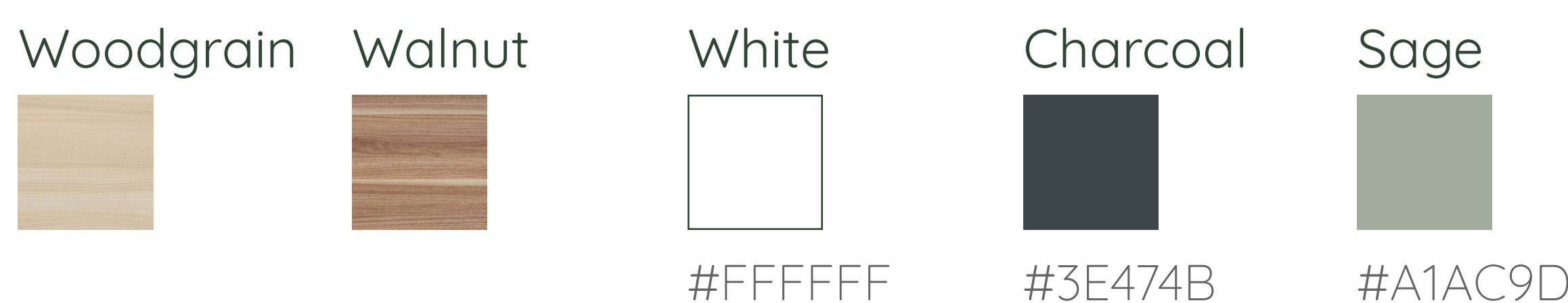
5-year warranty. View our full policy at <https://www.branchfurniture.com/pages/warranty>.

CLEANING AND CARE

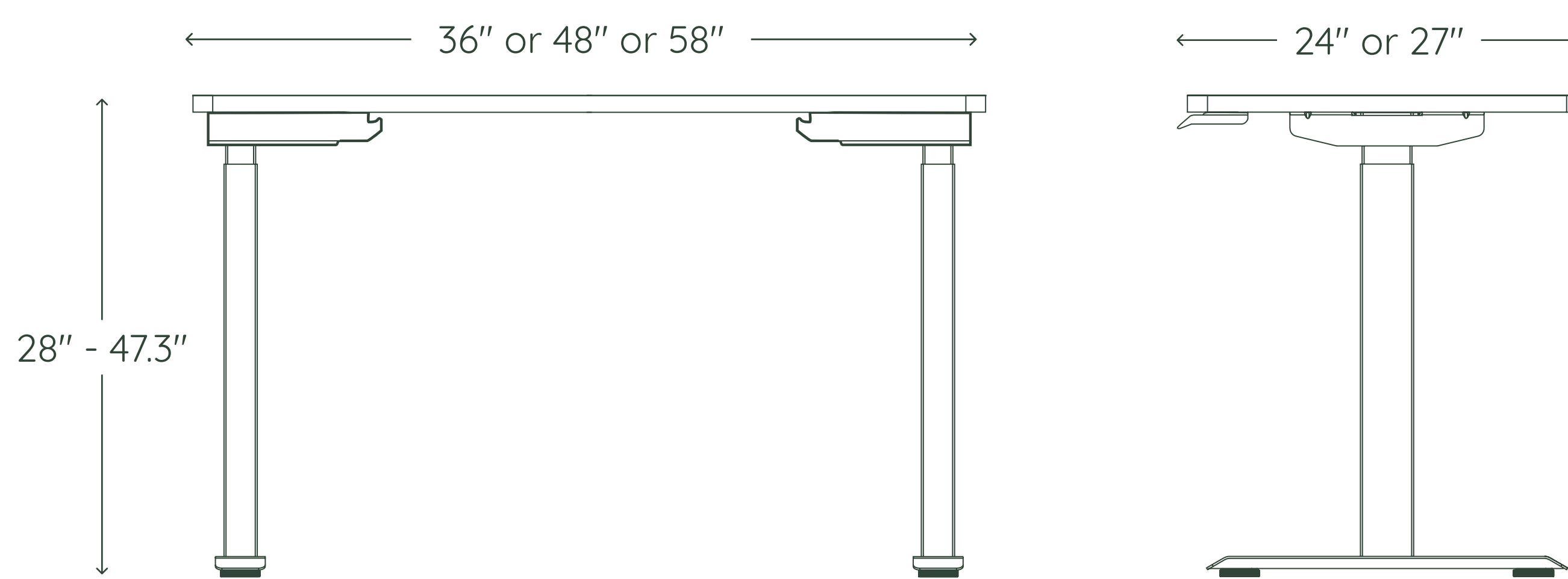
Top: use a soft cloth soaked in warm, soapy water and follow with a streak-free glass cleaner.

Frame: wipe off dust with a soft cloth, and use a mild soap with water to remove stains and debris.

TOP COLORS






BASE COLORS



SPECIFICATIONS

- 36x24: 36"W x 24"D x 28"-47.3"H
- 48x24: 48"W x 24"D x 28"-47.3"H
- 58x27: 58"W x 27"D x 28"-47.3"H
- Lift range: 19.3" (28"-47.3")
- Memory: 2 presets
- Operating speed: 1.3in/s
- Max capacity: 275 lbs
- Operating noise: <50dB
- Assembled weight: 115-122 lbs

OPTIONAL ADD ONS

		
<p>Desk Drawer Turn your desk into a clutter-free oasis.</p>	<p>Cable Organizer Keep wires tidy; available with or without power.</p>	<p>Clamp-On Power Includes 3 outlets, 1 USB-B port, and 1 USB-C port.</p>