



MATERIALS

Double-woven mesh: nylon weave eases pressure points with breathable support.

High density foam cushion: contoured cushion evenly distributes weight for a comfortable sit.

Polymer frame: built from impact-resistant polymer and nylon fill.

Aluminum base: anodized aluminum for a lasting foundation of work.

Scratch-proof casters: durable nylon ideal for multiple floor types.

RETURN POLICY

Open Box products are final sale, and not eligible for return.

WARRANTY

3-year warranty. View our full policy at <https://www.branchfurniture.com/pages/warranty>.

CLEANING AND CARE

Base and frame: use a gentle, non-ammonia cleaning product to shine and remove scuffs.

Seat: use a furniture spot-cleaner to remove any stains from your chair. Avoid bleach and water-based cleaning products to prevent discoloration.

Branch

Ergonomic Chair (Open Box)

OVERVIEW

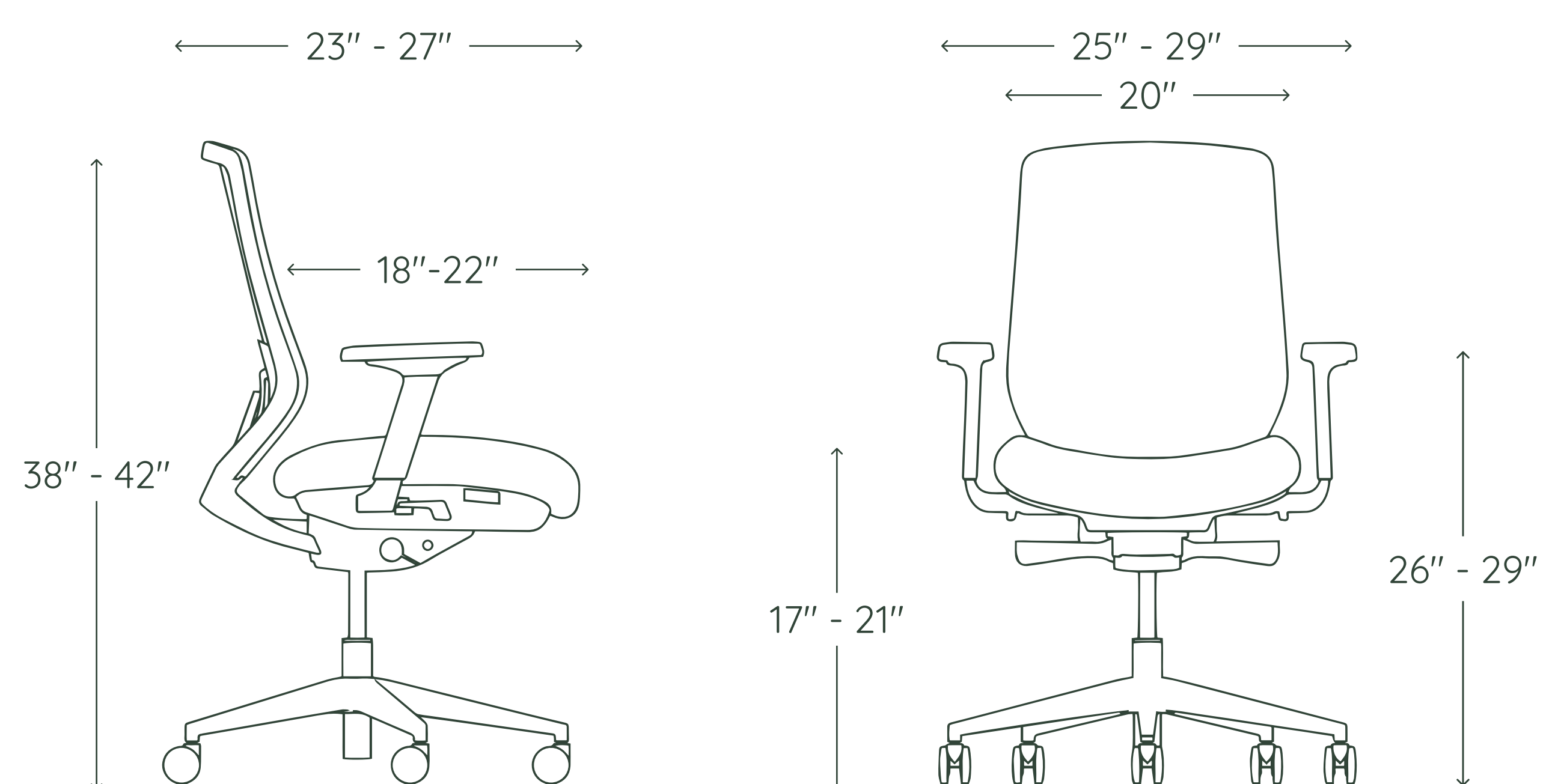
Designed for support and adaptability, the Ergonomic Chair puts you at the center of work. Its lumbar support encourages a healthy posture while its industry-leading eight points of adjustment allow for anyone to find their fit. Wrapped in a breathable backrest that keeps you cool throughout the day, the Ergonomic Chair adds a minimalist, modern touch whether you're in the home or open office. Certified Greenguard Gold for low VOC emissions.

FABRIC COLORS

Black #111111	Sand #D2C4AF	Pebble #D3D2D0	Graphite #646566
Light Blue #BEDBEC	Poppy #DA5F4D	Baltic #354E93	

FRAME COLORS

Black #111111	White #FFFFFF
------------------	------------------



SPECIFICATIONS

Overall: 25"W x 24"D x 38"-42"H	Armrest height: 26"-29"
Chair height: 38"-42"	Tilt range: 20°
Seat height: 17"-21"	Max capacity: 275 lbs
Seat depth: 18"-22"	Assembled weight: 35 lbs

OPTIONAL ADD ONS



Ergonomic Headrest (Open Box)

Adjustable mesh headrest, ideal for sitters who alternate between reclining and upright posture.