

# Cable Organizer

Assembly Guide

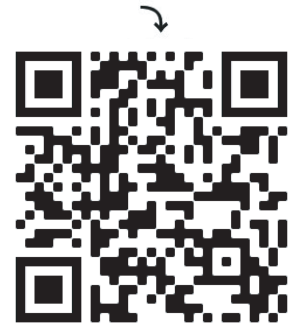
**Branch**

# Caution

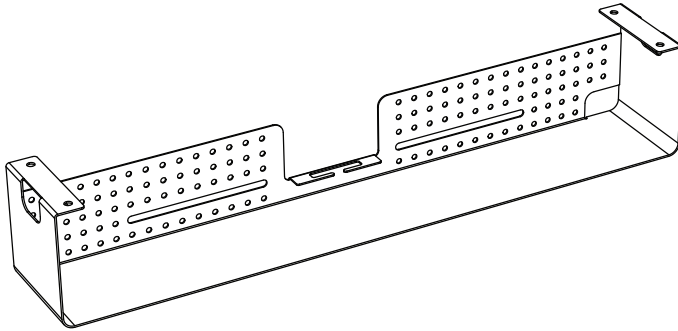
- Please read these instructions fully prior to assembly and verify that all components are present before you start the assembly process.
- If any parts are missing, broken, damaged, or worn, stop use of the product until factory authorized replacement parts are received.
- Pay attention to sharp corners and gently open and close the drawers to avoid personal injury.
- Use extra caution when assembling these products and have someone assist you. Do not change the specifications, modify the products, or use for any other purpose beyond its intended use.
- Every six months, please make sure all thumbscrews are securely tightened to ensure stability.
- Do not open or modify any of the components. Doing so risks electric shock and voids any warranty claims.
- Failure to follow these warnings could result in serious injury or death and void any warranty.
- Keep this manual for future reference.

# The new way of working you've been waiting for.

Scan here for a digital copy  
of your assembly guide.



# Specifications



— Cable Organizer  
x1



— Thumbscrew  
x4

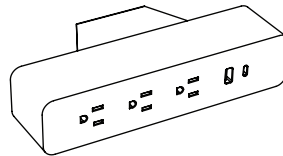


— Cable Tie  
x8

## Optional Power



— Thumbscrew  
x1



— Power Unit  
x1  
AC Power Outlets x3  
USB A Port x1  
USB C Port x1

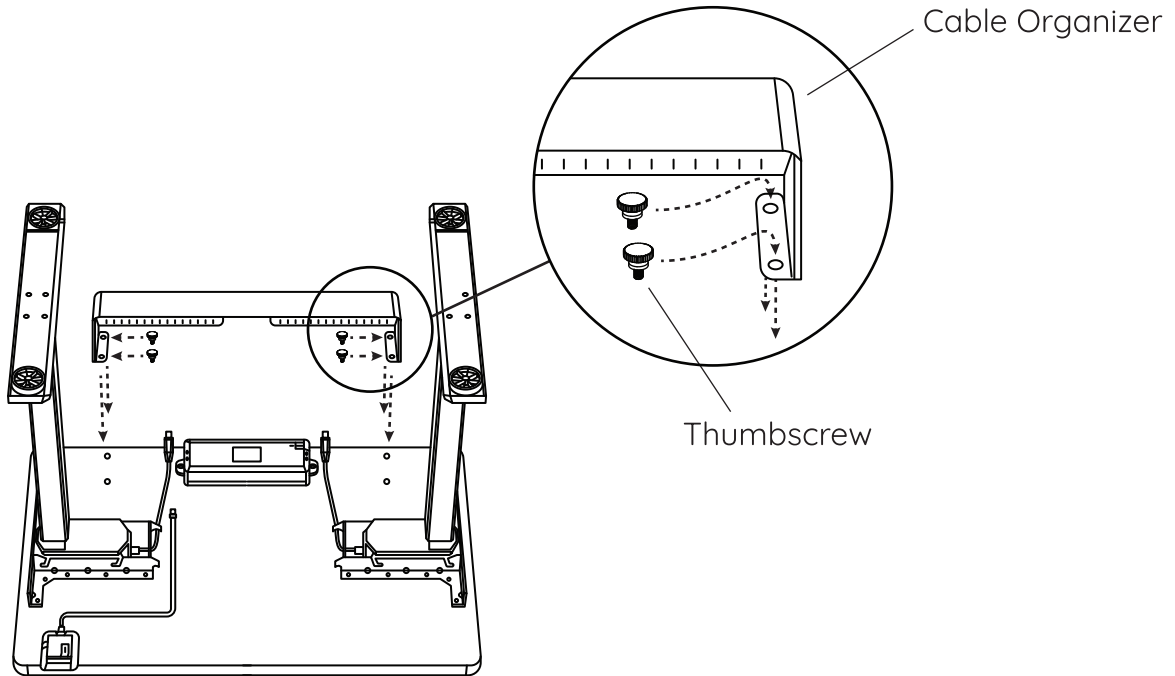
**AC Power Outlets** - 120 Volts AC, 12A max

**USB A Port** - 5V 3A, 12V 1.5A, 18w max

**USB C Port** - 5V 3A, 12V 1.5A, 18w max

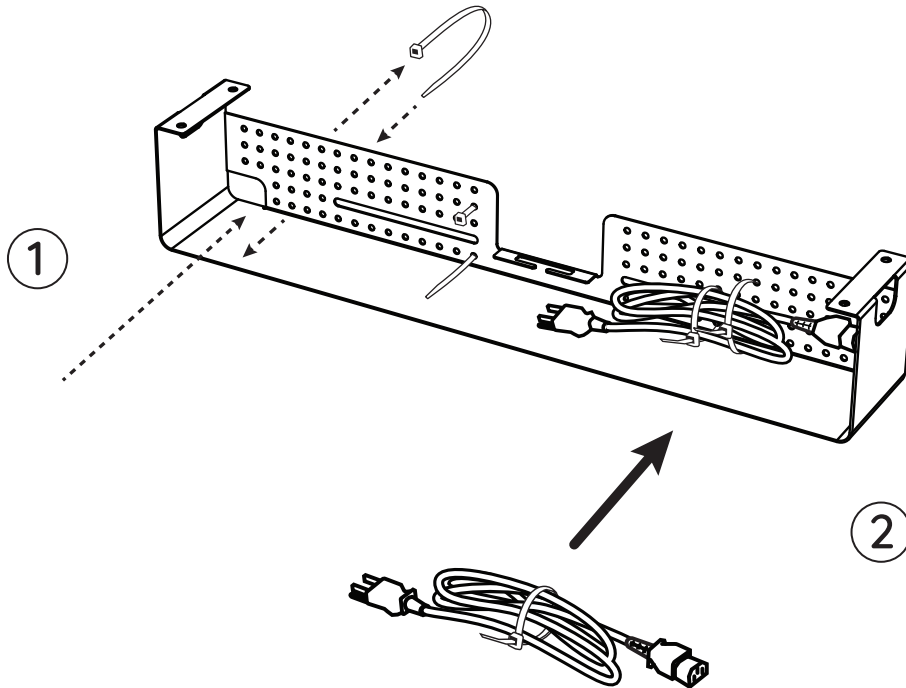
**Both USB Ports Connected** - 5V 3A, 15w max

# 1



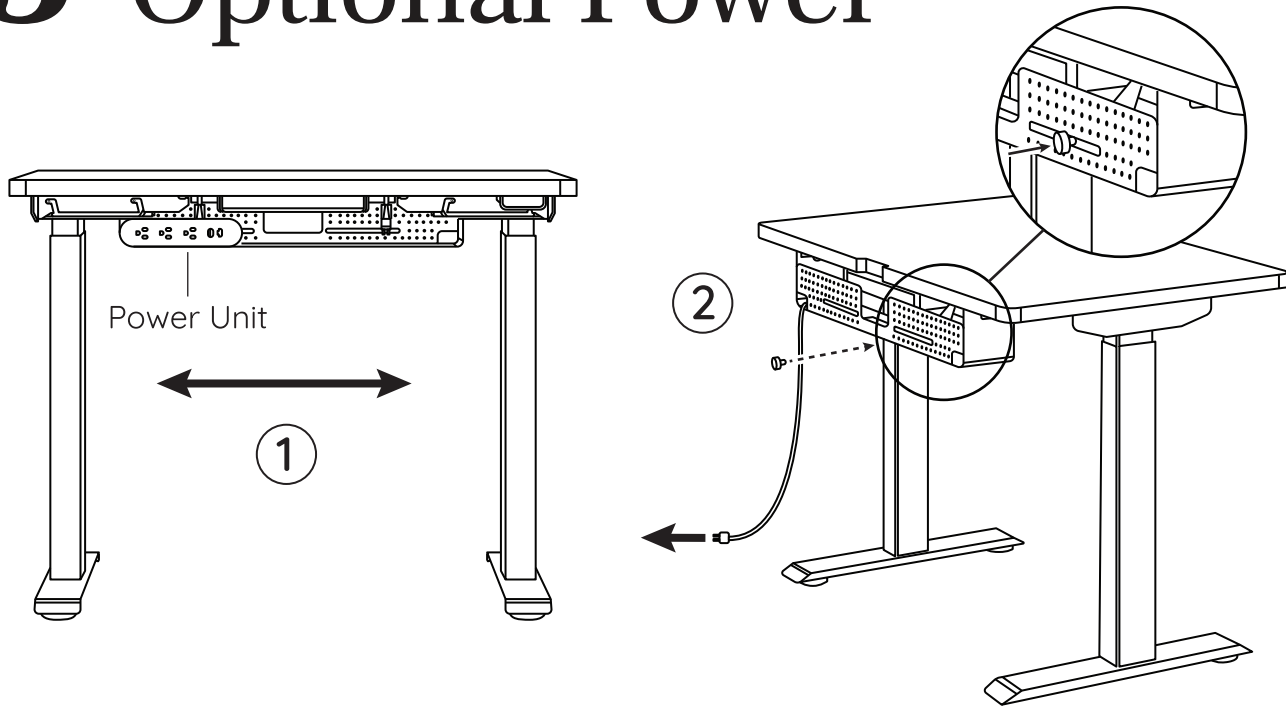
With your desk upside-down, position the **Cable Organizer** to the desktop so that the open end faces the front of the desktop as shown. Align the holes in the Cable Organizer to the threaded holes in the desktop and tightly secure with the **Thumb Screws** (x4).

# 2



The back panel of the **Cable Organizer** has many holes for securing your cables and keeping your desk organized. For a tidy look, insert a **Cable Tie** (x8) through to the back of the **Cable Organizer** and then back to the front. Bundle and tie groups of cables together and then affix to the back panel using the pre-inserted Cable Tie. Repeat as needed.

# 3 Optional Power



Install the **Power Unit** on the left or right side of the **Cable Organizer**. Depending on your setup, the Power Unit can be rotated so that the USB outlets are on the right or left side. Attach the Power Unit to the Cable Organizer using the **Thumb Screw** (x1). Note: the Thumb Screw fits into the adjustable slot of the Cable Organizer. Connect the **Power Cord** to the nearest outlet.

# Contact

Have a question, comment, or suggestion?

[hello@branchfurniture.com](mailto:hello@branchfurniture.com)  
[branchfurniture.com](http://branchfurniture.com)

40034392 V.A

# Branch