

Bistro Table

Assembly Guide

Branch

The new way of working you've been waiting for.

Scan here for a digital copy
of your assembly guide.

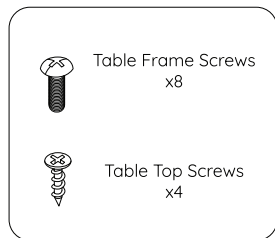
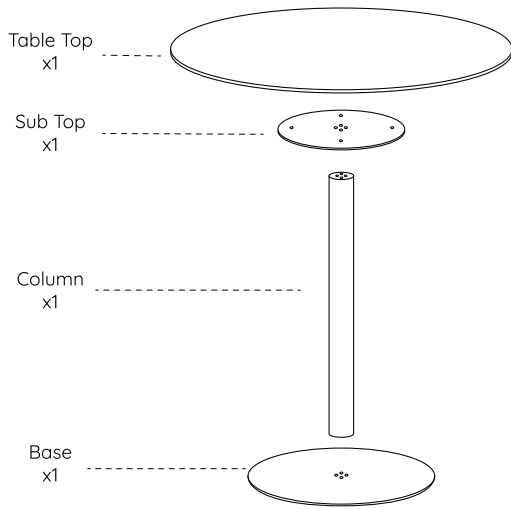




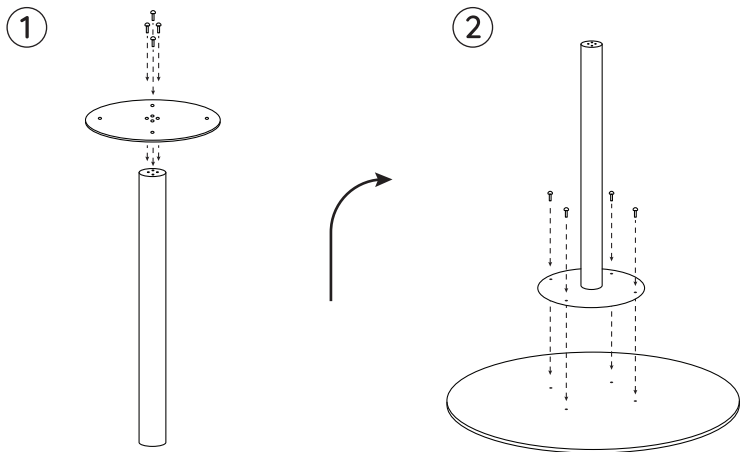
Caution

- Make sure to read the guide completely before assembling.
- Check that all components are present before you start the assembly process.
- Use extra caution when assembling this product and have someone assist you. Do not change the specifications, modify this product, or use for any other purpose beyond its intended use as a table.
- Do not sit or stand on the table frame. Do not crawl or lie under the table frame.

Components

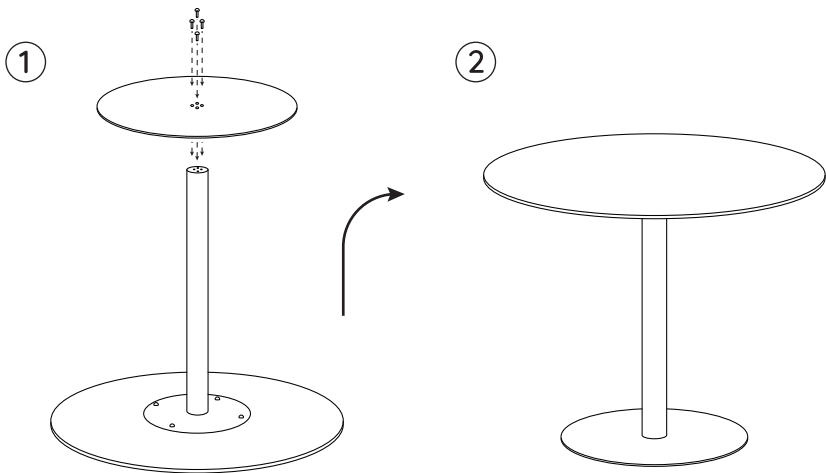


1



Assemble the Sub Top (x1) to the Column (x1) with the Frame Screws (x4). Place the Table Top (x1) upside down onto a clean, flat surface. Using two people, carefully flip the base upside-down onto and align the Sub Top (x1) holes to the pilot holes in the Table Top. Tightly secure the Sub Top to the Table Top using the Table Top Screws (x4).

2



While upside-down, assemble the Base (x1) to the frame, and tightly secure with the Frame Screws (x4). Using two people, carefully flip the assembled table right side up.

Contact

Have a question, comment, or suggestion?

hello@branchfurniture.com
branchfurniture.com

Branch